

Simultaneous heating and cooling VRF system.
The 3-Pipe ECOi EX MF3 Series offers the solution for the most demanding customers.



Slim 3-Pipe Control Box Kit / Multiple connection type

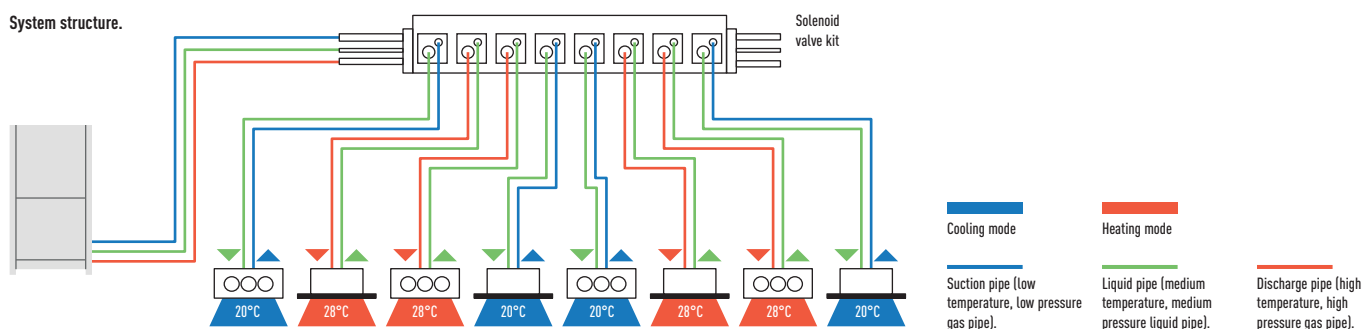
Heat Recovery Box to connect multiple indoor units with just one box, 4, 6 and up to 8 indoor units or groups.

The height is only 200mm. This is good advantage specially in hotel applications, where space for connecting several boxes is limited.

Individual control of multiple indoor units with solenoid valve kits.

- Any design and layout can be used in a single system.
- Cooling operation is possible up to an outdoor temperature of -10°C.

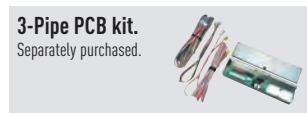
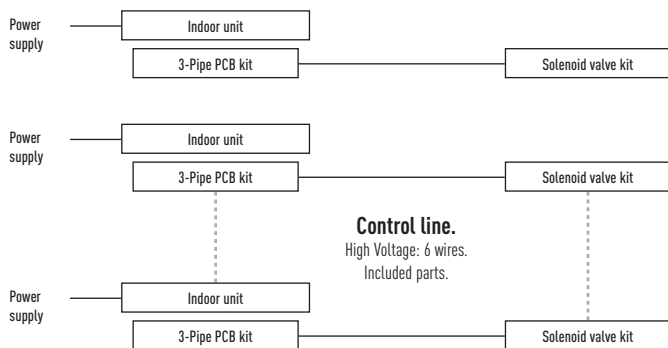
System structure.



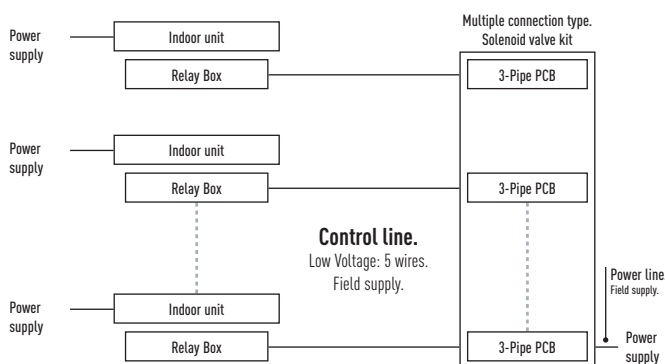
	1 port	4 port	6 port	8 port
56 type	CZ-P56HR3	CZ-P456HR3	CZ-P656HR3	CZ-P856HR3
160 type	CZ-P160HR3	CZ-P4160HR3	—	—

Solenoid valve kit / wiring work

Current model / single connection type



New model / multiple connection type



7. Optional Parts

- Be sure to secure the solenoid valve kit with the hanging bolts not to cause any falling damage, using the hanging hooks.
Do not place the solenoid valve kit directly on the ceiling surface. Select a location where the ceiling is enough to support the weight of the solenoid valve Kit. When installing the solenoid valve kit, **remember to install it with the top surface facing upward.** (See the figure shown in the subsection “How to use the fittings” in “3. Valve Dimensions and Hanging Method”.)
- When installing the valve body, install with the top surface facing up. Secure 200mm or more of space to the front and 150mm space upward so that the service panel can be removed upward.
- **Never conduct drilling or welding on the sheet metal.** Place the solenoid valve kit so that it does not hinder draining.
- Do not cover air holes.

3. Valve Dimensions and Hanging Method

- There are 2 types of solenoid valve kits: type 56 and type 160. The corresponding indoor unit model capacities are shown in the table at right.

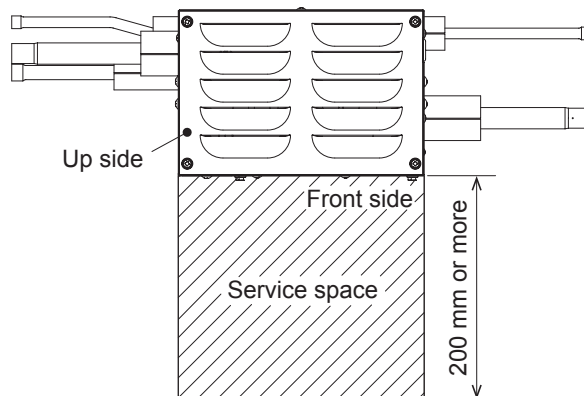
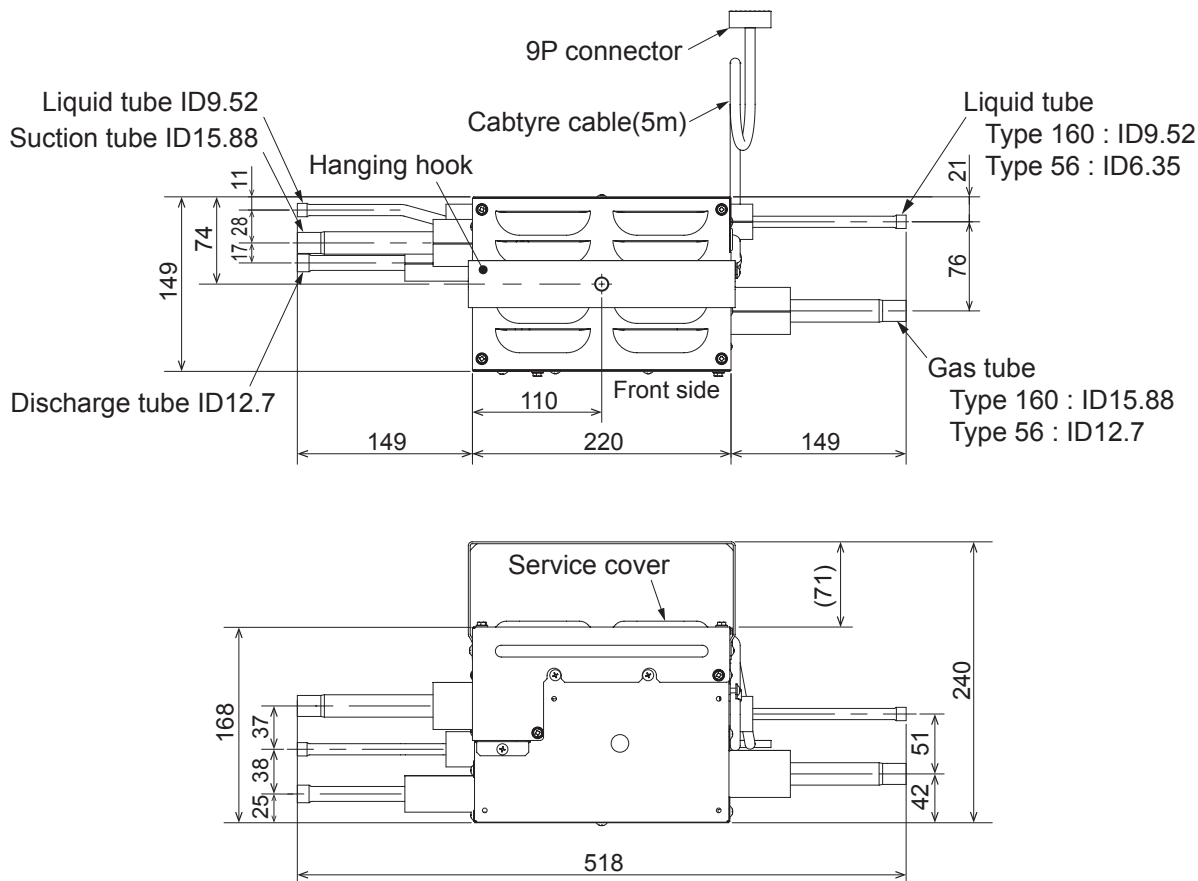


Fig. 2-7-1 Service space

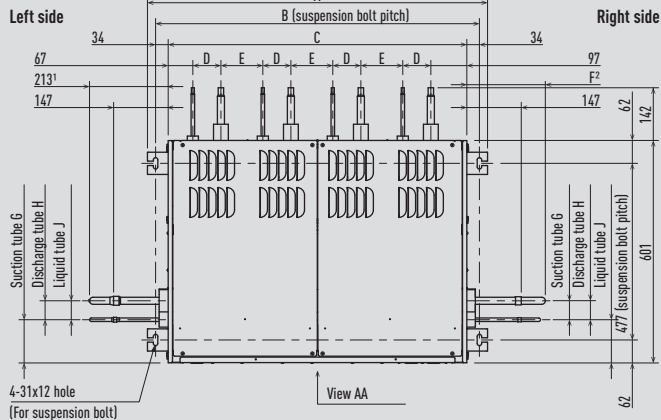
Solenoid Valve Kit	Indoor Unit Capacity
CZ-P56HR3	15 – 56 Type
CZ-P160HR3	60 – 160 Type
CZ-P160HR3 × 2 or CZ-P56HR3 × 1 + CZ-P160HR3 × 1	180 Type 224 Type
CZ-P160HR3 × 2	280 Type



Note: This figure shows the unit with suspension fittings attached.

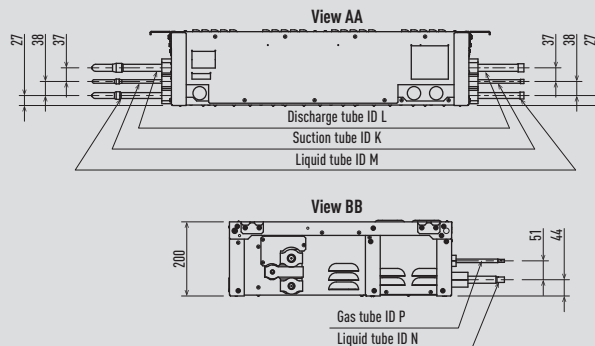
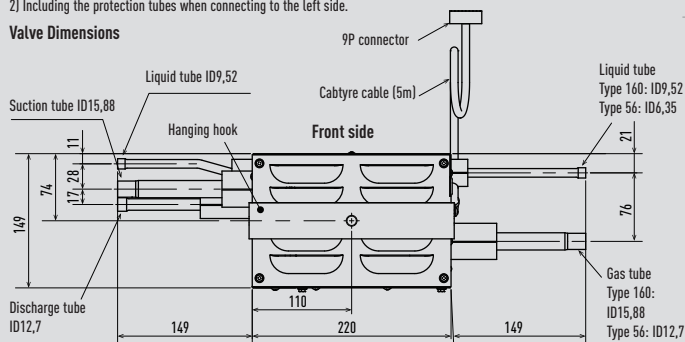
3-Pipe Control Box Kit / Multiple connection type

Heat Recovery Box Dimensions



- 1) In case of right side connection.
- 2) Including the protection tubes when connecting to the left side.

Valve Dimensions



	A	B	C	D	E	F	G	H	J	K	L	M	N	P
Type 456	919	874	807	67	113	213	51	51	117	Ø19,05	Ø15,88	Ø9,52	Ø6,35	Ø12,70
Type 4160	919	874	807	67	113	207	55	54	113	Ø9,52	Ø15,88	Ø28,58	Ø25,40	Ø15,88
Type 656	1297	1253	1185	67	113	213	54	55	115	Ø25,40	Ø19,05	Ø12,70	Ø6,35	Ø12,70
Type 856	1675	1631	1563	67	113	213	53	53	115	Ø28,58	Ø22,22	Ø12,70	Ø6,35	Ø12,70

