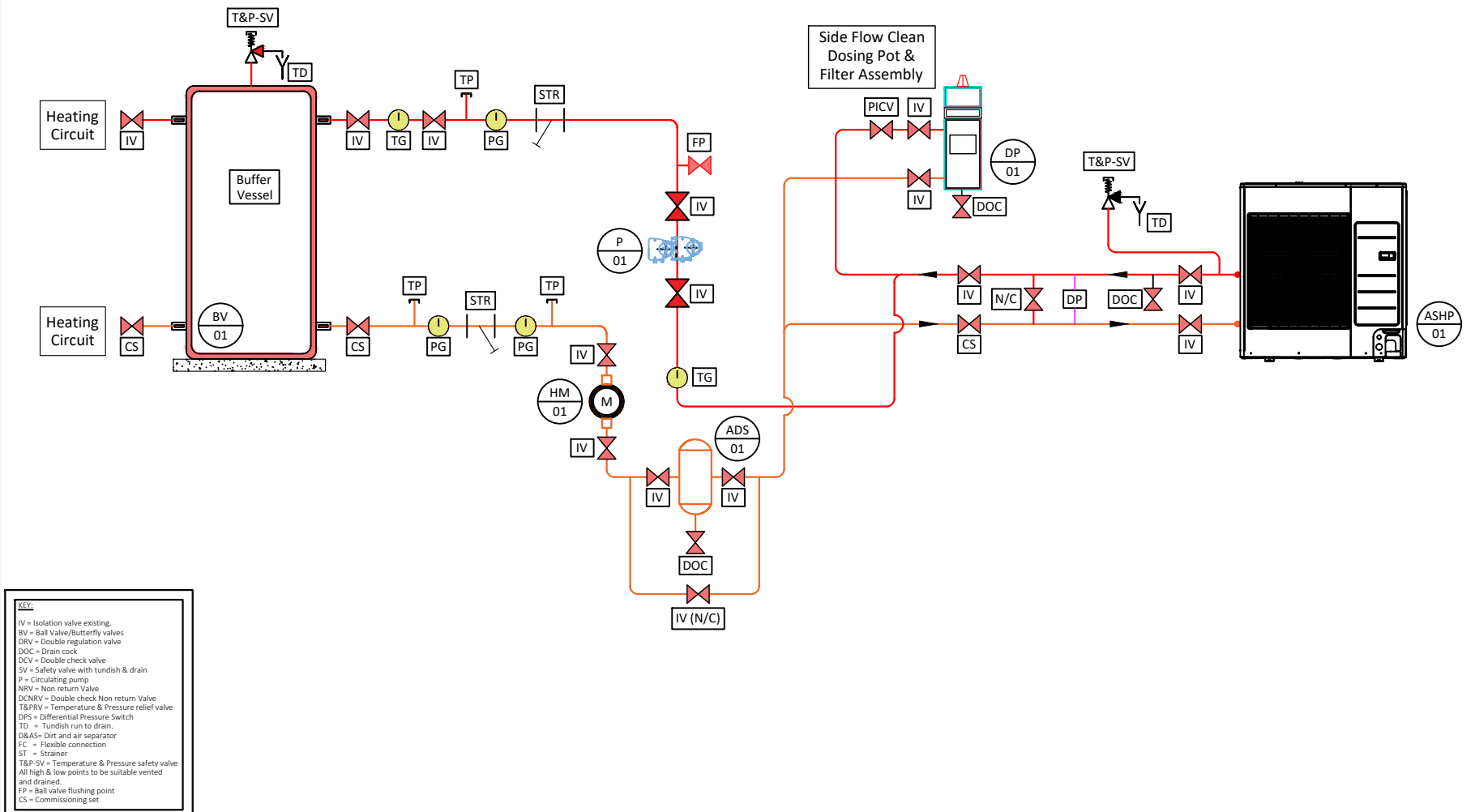


CDM - DESIGN RISK INFORMATION

Provide this which we have not been asked to and which others could not be reasonably expected to know about.

RISK DETAIL & STAGE	SUGGESTED CONTROL MEASURE	DESIGNER



KEY:	
IV	= Isolation valve existing.
BV	= Ball Valve/Butterfly valves
DRV	= Double regulation valve
DOC	= Drain cock
DCV	= Double check valve
SV	= Safety valve with tundish & drain
P	= Circulating pump
NRV	= Non return Valve
DCNRV	= Double check Non return Valve
T&PRV	= Temperature & Pressure relief valve
DPS	= Differential Pressure Switch
TD	= Tundish run to drain.
D&AS	= Dirt and air separator
F.C.	= Flexible connection
ST	= Strainer
T&P-SV	= Temperature & Pressure safety valve
All high & low points to be suitable vented and drained.	
FP	= Ball valve flushing point
CS	= Commissioning set

No.	Description	Date

MAXA GAMMA
i-290 HEAT PUMPS

SINGLE UNIT
HEATING ONLY

Project number

Date 09/07/2023

Drawn by ESS

Revision

ESS/MAXA 002

Scale NTS @ A3