

N°1 FOR HOTEL APPLICATIONS  
ALL IN ONE!



## Control for hotel application



**More easier to install, cheaper to integrate one only control to integrate all devices. Nice, easy and cost effective!**

**Panasonic has developed an innovative line up of remote controls specially designed for applications:**

- Easy to install
- Cost effective installation as all electrical cable are centralized on this remote
- Architect inspired attractive design
- Direct connection to the Indoor unit with most of the functions of the indoor unit
- 3 options available: Stand-Alone, Modbus or LonWorks communication
- 2 frame colours: White and aluminium

**From this remote control:** The lighting, card contact, motion detector, window contact and the air conditioning are controlled.

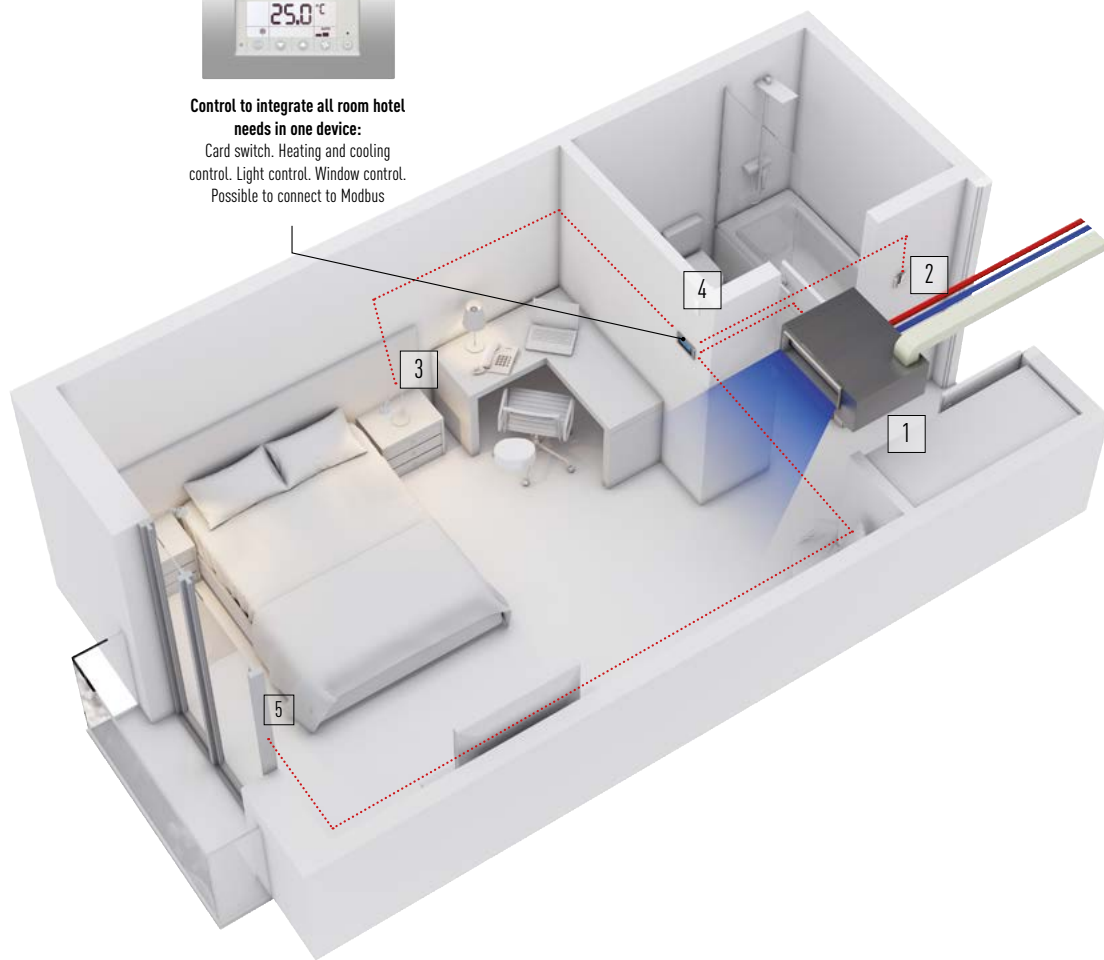
**Energy saving functions included on the device:** • Turns Off air conditioning and lighting when room is unoccupied • Disables air conditioning when window is open • Maximum/minimum setpoint temperature configurable

**Easy remote control:** The hotel customer will have access to limited functions to control the air conditioning: ON/OFF, Temperature (under a certain limit fixed during the start up) and Fan speed

**Easy set up:** Stand-Alone model with easy configuration menu to access all parameters. The installation is simplified as all the cables should arrive to the remote control. A pre-define scenario can be uploaded on the remote control connected to a computer to make installation on site plug and play (only on the Modbus and LonWorks models).



**Control to integrate all room hotel needs in one device:**  
 Card switch. Heating and cooling control. Light control. Window control.  
 Possible to connect to Modbus



1. Indoor unit. Variable static pressure hide away

2. Room card switch\*



3. Lighting control

4. Human sensor

5. Window contact\*

\* Field supply

## Four preconfigured systems (option 1 to 4)

The remote control have a 4 preconfigured systems in order to easily integrate it.

### 4 options available I/O configurations: Inputs

Configurations	Digital 1-2	Digital 3-4	Digital 5-6	Analog 7-8
Option 1	Card	Window	Lighting	Temperature
Option 2	Card	Window	Blinds Up	Blinds Down
Option 3	Motion Sensor	Window	Door Contact	Temperature
Option 4	Lighting	Window	Blinds Up	Blinds Down

### Available I/O Configurations: Outputs

Configurations	Relay 15-16	Relay 13-14	Relay 11-12	Relay 9-10
Option 1	Courtesy	Lighting	Not Used	Valve actuator
Option 2	Courtesy	Lighting	Blinds Up	Blinds Down
Option 3	Courtesy	Lighting	Not Used	Valve actuator
Option 4	Not used	Lighting	Blinds Up	Blinds Down

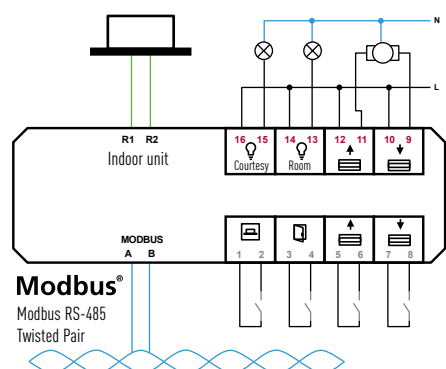
### I/O Definitions: Inputs

Description	Functionality
Card	Occupancy room status. Enable HVAC Control and automatically switches ON Courtesy and Lighting outputs
Window	Temporary disables HVAC System
Lighting	Push button to turn ON/OFF Lighting Output when room occup.
Temperature	Analog input for Valve Actuator output control on 2nd zone
Blinds Up	Push button for Blind Up motor output control
Blinds Down	Push button for Blind Down motor output control
Motion Sensor	In combination with Door Contact, enables HVAC Control and automatically switches ON Courtesy and Lighting outputs
Door Contact	In combination with Motion Sensor, enables HVAC Control and automatically switches ON Courtesy and Lighting outputs

### I/O Definitions: Outputs

Description	Functionality
Courtesy	Automatically turns ON when room changes to occupied or unoccupied mode. It turns to OFF after a configurable time-out
Lighting	Automatically turns ON/OFF when room changes to occupied/unoccupied. Manual override with Lighting input
Valve Actuator	HVAC Control for a 2nd zone
Blinds Up	Output for Blind Up motor control
Blinds Down	Output for Blind Down motor control

### Example I/O: Wiring configuration for Option 2



### Example I/O: Option 2

Terminals	Description	Type
A, B	Modbus RS-485	Bi-directional
R1, R2	Indoor Unit	Bi-directional
1, 2	Card contact	Digital Input
3, 4	Window Contact	Digital Input
5, 6	Blinds Up	Digital Input
7, 8	Blinds Down	Analog Input
9, 10	Blinds Down	Relay Output
11, 12	Blinds Up	Relay Output
13, 14	Lighting Room	Relay Output
15, 16	Lighting Courtesy	Relay Output

### Panasonic Reference

PAW-RE2C3-WH	Stand-Alone with I/O White frame
PAW-RE2C3-GR	Stand-Alone with I/O Grey Frame
PAW-RE2C3-MOD-WH	Modbus RS-485 with I/O White frame
PAW-RE2C3-MOD-GR	Modbus RS-485 with I/O Grey frame
PAW-RE2C3-LON-WH	LonWorks TP/FT-10 with I/O White frame
PAW-RE2C3-LON-GR	LonWorks TP/FT-10 with I/O Grey frame