

Specifications

Concealed Floor-Standing

- Silent operation.
- Sirocco fan driven by inverter motor.
- Compatible with Wi-Fi Kit controller.
- Long-life washable permanent filter.
- Auto Restart function.



Model			AM036FNFDEH/EU	AM056FNFDEH/EU	AM071FNFDEH/EU	
Power Supply		Φ, #, V, Hz	1Φ, 2, 220-240 V, 50 Hz	1Φ, 2, 220-240 V, 50 Hz	1Φ, 2, 220-240 V, 50 Hz	
Performance	Capacity (Nominal)	Cooling	kW	3.6	5.6	7.1
		Heating		4.0	6.3	8.0
Power	Power Input (Nominal)	Cooling	W	50	110	110
		Heating		50	110	110
	Current Input (Nominal)	Cooling	A	0.24	0.53	0.53
		Heating		0.24	0.53	0.53
Fan	Motor	Type	-	Sirocco Fan	Sirocco Fan	Sirocco Fan
	Airflow Rate	H/M/L (UL)	m ³ /min	10.00/8.50/6.00	15.50/14.00/11.00	15.50/14.00/11.00
			L/s	166.67/141.67/100.00	258.33/233.33/183.33	258.33/233.33/183.33
Piping Connections	Liquid Pipe		ø, mm	6.35	9.52	9.52
			ø, inch	1/4	3/8	3/8
	Gas Pipe		ø, mm	12.70	15.88	15.88
			ø, inch	1/2	5/8	5/8
	Drain Pipe		ø, mm	ID 18 HOSE	ID 18 HOSE	ID 18 HOSE
Field Wiring	Power Source Wire	Below 20 m/ over 20 m	mm ²	1.5/2.5	1.5/2.5	1.5/2.5
	Transmission Cable		mm ²	0.75-1.50	0.75-1.50	0.75-1.50
Refrigerant	Type		-	R410A(Fluorinated greenhouse gas, GWP=2,088)		
	Control Method		-	EEV INCLUDED	EEV INCLUDED	EEV INCLUDED
Sound ²	Sound Pressure	(H/M/L)	dB(A)	37/32/27	40/36/32	40/36/32
Dimensions	Net Weight		kg	23.0	28.5	28.5
	Net Dimensions (W × H × D)		mm	945 x 600 x 220	1,225 x 600 x 220	1,225 x 600 x 220
Additional Accessories	Air Filter		-	Long-life Filter	Long-life Filter	Long-life Filter

Accessories



Touch Controller

Wired
Remote Controller

Wired
Remote Controller

Wi-Fi Kit

External Room Sensor

MWR-SH11N

MWR-WE13N

MWR-WG00*N

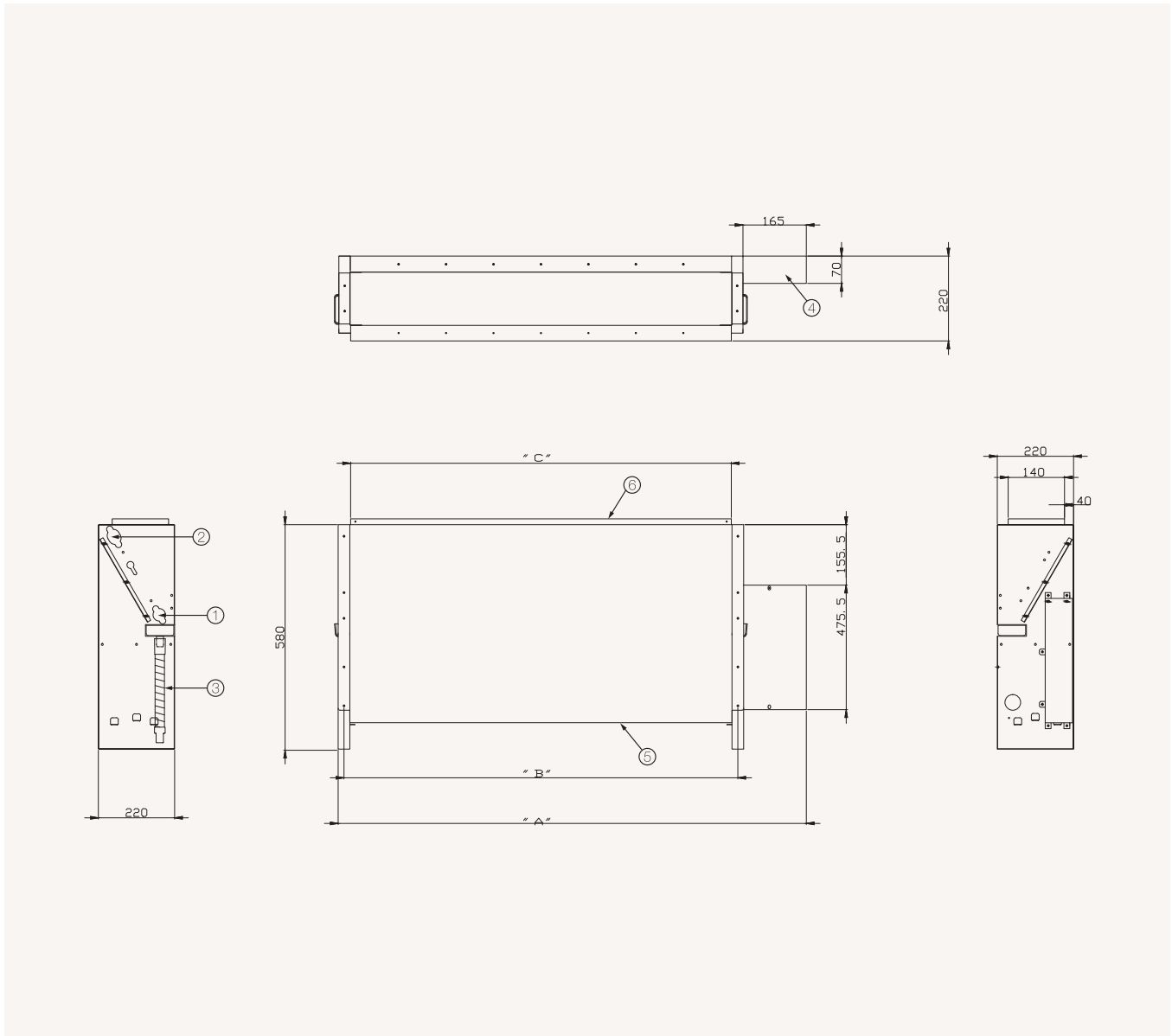
MIM-H04EN

MRW-TA

Dimensional drawings

Concealed Floor-Standing

AM036/056/071FNFDEH/**



Model	A	B	C
AM036FNFDEH/EU	945	730	700
AM056/071FNFDEH/EU	1,225	1,010	980

NO	Name	Description		
		3.6 kW	5.6 kW	7.1 kW
1	Liquid pipe connection	ø6.35 Flare	ø6.35 Flare	ø9.52 Flare
2	Gas pipe connection	ø12.70 Flare	ø12.70 Flare	ø15.88 Flare
3	Drain pipe connection		ID 18 Hose	
4	Power supply/communication wiring conduits			
5	Air inlet grille			
6	Air outlet louvre			

Specifications

Concealed Floor-Standing High Static Pressure

- Silent operation.
- Sirocco fan driven by inverter motor.
- Compatible with Wi-Fi Kit controller.
- Long-life washable permanent filter.
- Auto Restart function.



Model			AM036MNFDEH/EU	AM056MNFDEH/EU	AM071MNFDEH/EU	
Power Supply		Φ, #, V, Hz	1Φ, 2, 220-240 V, 50 Hz	1Φ, 2, 220-240 V, 50 Hz	1Φ, 2, 220-240 V, 50 Hz	
Performance	Capacity (Nominal)	Cooling	kW	3.6	5.6	7.1
		Heating	kW	4.0	6.3	8.0
Power	Power Input (Nominal)	Cooling	kW	0.022	0.042	0.042
		Heating	kW	0.022	0.042	0.042
	Current Input (Nominal)	Cooling	A	0.20	0.37	0.37
		Heating	A	0.20	0.37	0.37
Fan	Motor	Type	-	Sirocco Fan	Sirocco Fan	Sirocco Fan
		Output x n	W	100 x 1	100 x 1	100 x 1
	External Static Pressure	Min/Std/Max	mmAq	0.00/3.00/6.00	0.00/3.00/6.00	0.00/3.00/6.00
		Min/Std/Max	Pa	0.00/29.40/58.90	0.00/29.40/58.90	0.00/29.40/58.90
	Airflow Rate	(H/M/L)	m ³ /h	600/510/360	930/840/660	930/840/660
Piping Connections	Liquid Pipe	ø, mm	6.35	6.35	9.52	
		ø, inch	1/4	1/4	3/8	
	Gas Pipe	ø, mm	12.70	12.70	15.88	
		ø, inch	1/2	1/2	5/8	
Drain Pipe	ø, mm	ID 18 HOSE	ID 18 HOSE	ID 18 HOSE		
Field Wiring	Power Source Wire	mm ²	1.5-2.5	1.5-2.5	1.5-2.5	
	Transmission Cable	mm ²	0.75-1.50	0.75-1.50	0.75-1.50	
Refrigerant	Type	-	R410A(Fluorinated greenhouse gas, GWP=2,088)			
	GWP	-	2.088	2.088	2.088	
	Control Method	-	EEV INCLUDED	EEV INCLUDED	EEV INCLUDED	
Sound ²	Sound Pressure	(H/M/L)	dB(A)	37/32/27	40/36/32	40/36/32
	Sound Power		dB(A)	53.0	59.0	59.0
Dimensions	Net Weight		kg	22.0	27.0	27.0
	Net Dimensions (W x H x D)		mm	945 x 600 x 220	1,225 x 600 x 220	1,225 x 600 x 220
Additional Accessories	Air Filter	-	Long-life Filter	Long-life Filter	Long-life Filter	

Accessories



Touch Controller

MWR-SH11N



Wired Remote Controller

MWR-WE13N



Wired Remote Controller

MWR-WG00*N



Wi-Fi Kit

MIM-H04EN



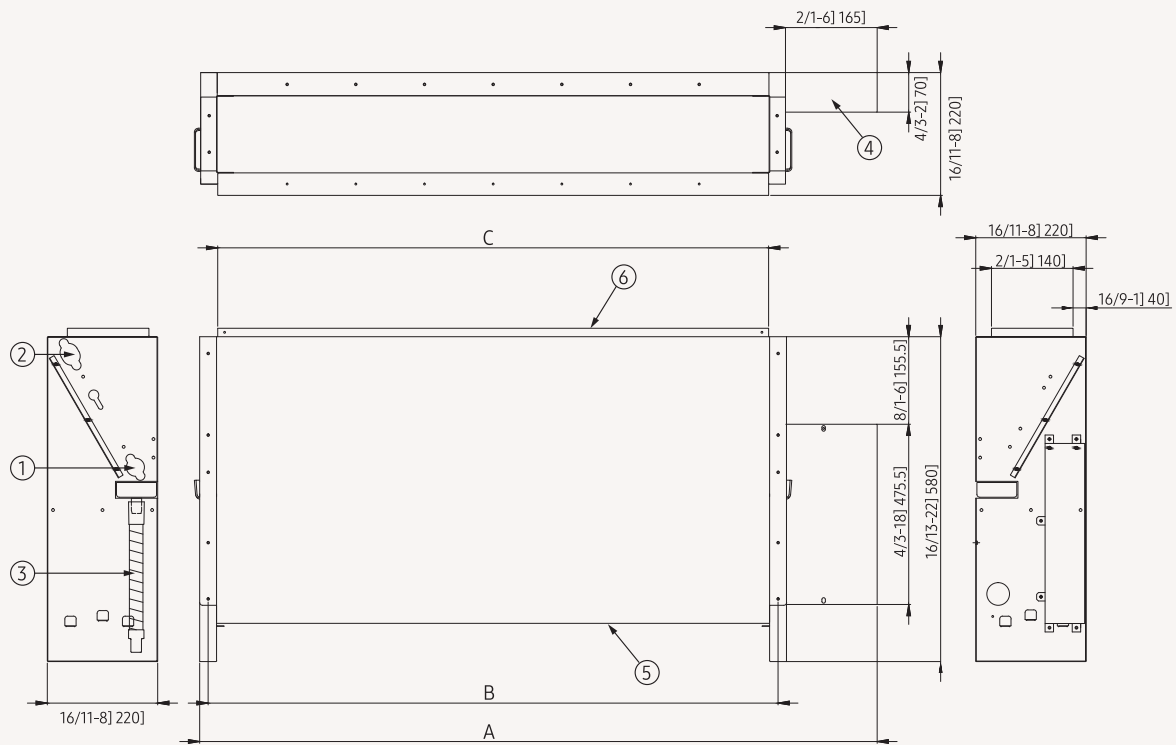
External Room Sensor

MRW-TA

Dimensional drawings

Concealed Floor-Standing High Static Pressure

AM036/056/071MNFDEH/**



Model	A	B	C
AM036MNFDEH/EU	945	730	700
AM056/071MNFDEH/EU	1,225	1,010	980

NO	Name	Description		
		3.6 kW	5.6 kW	7.1 kW
1	Liquid pipe connection	ø6.35 Flare	ø6.35 Flare	ø9.52 Flare
2	Gas pipe connection	ø12.70 Flare	ø12.70 Flare	ø15.88 Flare
3	Drain pipe connection		ID 18 Hose	
4	Power supply/communication wiring conduits			
5	Air inlet grille			
6	Air outlet louvre			

Floor Standing

- 1 *Specifications*
- 2 *Capacity Table*
- 3 *Dimensional Drawing*
- 4 *Electrical Wiring Diagram*
- 5 *Sound Pressure Level*
- 6 *Temperature and air flow distribution*

1 Specifications

Floor Standing

1) Technical specifications

Model				AM036FNFDEH***	AM056FNFDEH***	AM071FNFDEH***
Power Supply		Ø, #, V, Hz		1, 2, 220~240, 50	1, 2, 220~240, 50	1, 2, 220~240, 50
Mode *1)				HP/HR	HP/HR	HP/HR
Performance	Capacity (Nominal)	Cooling *2)	kW	3.6	5.6	7.1
			Btu/h	12,300	19,100	24,200
		Heating *3)	kW	4.0	6.3	8.0
			Btu/h	13,600	21,500	27,300
Power	Power Input (Nominal)	Cooling *2)	W	50	110	110
		Heating *3)		50	110	110
	Current Input (Nominal)	Cooling *2)	A	0.24	0.53	0.53
		Heating *3)		0.24	0.53	0.53
Fan	Motor	Type	-	Sirocco Fan	Sirocco Fan	Sirocco Fan
		Output	W	-	-	-
		Number of unit	EA	-	-	-
	Air Flow Rate	H/M/L (UL)	CMM	10.00/8.50/6.00	15.50/14.00/11.00	15.50/14.00/11.00
			l/s	166.67/141.67/100.00	258.33/233.33/183.33	258.33/233.33/183.33
	External Pressure	Min / Std / Max	mmAq	-	-	-
			Pa	-	-	-
WG			-	-	-	
Option Code				01A054-105000-202424-330010	01A054-105000-203838-330010	01A054-105000-204747-330010
Piping Connections	Liquid Pipe	Ø, mm	6.35	6.35	9.52	
		Ø, inch	1/4	1/4	3/8	
	Gas Pipe	Ø, mm	12.70	12.70	15.88	
		Ø, inch	1/2	1/2	5/8	
Drain Pipe	Ø, mm	ID 18 HOSE	ID 18 HOSE	ID 18 HOSE		
Field Wiring	Power Source Wire	Below 20m / over 20m	mm ²	1.5 / 2.5	1.5 / 2.5	1.5 / 2.5
	Transmission Cable		mm ²	0.75~1.5	0.75~1.5	0.75~1.5
Refrigerant	Type		-	R410A	R410A	R410A
	Control Method		-	EEV INCLUDED	EEV INCLUDED	EEV INCLUDED
Sound	Sound Pressure	High / Mid / Low *4)	dBA	37 / 32 / 27	40 / 36 / 32	40 / 36 / 32
Dimensions	Net Weight		kg	23.0	28.5	28.5
	Shipping Weight		kg	27.0	33.3	33.3
	Net Dimensions (W×H×D)		mm	945 x 600 x 220	1225 x 600 x 220	1225 x 600 x 220
	Shipping Dimensions (W×H×D)		mm	1035 x 690 x 310	1335 x 690 x 310	1335 x 690 x 310
Panel Size	Panel model		-	-	-	-
	Panel Net Weight		kg	-	-	-
	Shipping Weight		kg	-	-	-
	Net Dimensions (W×H×D)		mm	-	-	-
	Shipping Dimensions (W×H×D)		mm	-	-	-
Additional Accessories	Drain pump	Drain pump	- / Model	-	-	-
		Max. lifting Height / Displacement	mm/liter/h	-	-	-
	Air Filter		-	Long life filter	Long life filter	Long life filter

* Specifications may be subject to change without prior notice for product improvement.

*1) Mode

- HP : Heat Pump, HR : Heat Recovery

*2) Nominal cooling capacities are based on;

- Indoor temperature : 27°C DB, 19°C WB

- Outdoor temperature : 35°C DB, 24°C WB, Equivalent refrigerant piping : 7.5m, Level differences : 0m

*3) Nominal heating capacities are based on;

- Indoor temperature : 20°C DB, 15°C WB

- Outdoor temperature : 7°C DB, 6°C WB, Equivalent refrigerant piping : 7.5m, Level differences : 0m

*4) Sound pressure was acquired in an anechoic room. Thus actual noise level may be different depending on the installation conditions.

*5) These products contain R410A which is fluorinated greenhouse gas.

* Heat Exchanger type : Fin & Tube (Fin : Al, Tube : Cu)

2 Capacity table

Floor Standing

1) Cooling

TC : Total Capacity(kW), SHC : Sensible Heat Capacity(kW)

Capacity Index	Outdoor Air Temp. (°C,DB)	Indoor temperature													
		20(°C,DB)		23(°C,DB)		26(°C,DB)		27(°C,DB)		28(°C,DB)		30(°C,DB)		32(°C,DB)	
		14(°C,WB)		16(°C,WB)		18(°C,WB)		19(°C,WB)		20(°C,WB)		22(°C,WB)		24(°C,WB)	
		TC	SHC	TC	SHC	TC	SHC	TC	SHC	TC	SHC	TC	SHC	TC	SHC
036	10	2.5	2.0	2.9	2.3	3.4	2.5	3.6	2.6	3.7	2.6	4.0	2.6	4.3	2.5
	12	2.5	2.0	2.9	2.3	3.4	2.5	3.6	2.6	3.7	2.6	4.0	2.6	4.3	2.5
	14	2.5	2.0	2.9	2.3	3.4	2.5	3.6	2.6	3.7	2.6	4.0	2.6	4.3	2.5
	16	2.5	2.0	2.9	2.3	3.4	2.5	3.6	2.6	3.7	2.6	4.0	2.6	4.3	2.5
	18	2.5	2.0	2.9	2.3	3.4	2.5	3.6	2.6	3.7	2.6	4.0	2.6	4.2	2.4
	20	2.5	2.0	2.9	2.3	3.4	2.5	3.6	2.6	3.7	2.6	4.0	2.6	4.2	2.4
	21	2.5	2.0	2.9	2.3	3.4	2.5	3.6	2.6	3.7	2.6	4.0	2.6	4.2	2.4
	23	2.5	2.0	2.9	2.3	3.4	2.5	3.6	2.6	3.7	2.6	4.0	2.6	4.2	2.4
	25	2.5	2.0	2.9	2.3	3.4	2.5	3.6	2.6	3.7	2.6	4.0	2.6	4.2	2.4
	27	2.5	2.0	2.9	2.3	3.4	2.5	3.6	2.6	3.7	2.6	4.0	2.6	4.2	2.4
	29	2.5	2.0	2.9	2.3	3.4	2.5	3.6	2.6	3.7	2.6	4.0	2.6	4.2	2.4
	31	2.5	2.0	2.9	2.3	3.4	2.5	3.6	2.6	3.7	2.6	4.0	2.6	4.2	2.4
	33	2.5	2.0	2.9	2.3	3.4	2.5	3.6	2.6	3.7	2.6	4.0	2.6	4.2	2.4
	35	2.5	2.0	2.9	2.3	3.4	2.5	3.6	2.6	3.7	2.6	4.0	2.6	4.2	2.4
	37	2.5	2.0	2.9	2.3	3.4	2.5	3.6	2.6	3.7	2.6	3.9	2.5	4.2	2.4
	39	2.5	2.0	2.9	2.3	3.4	2.5	3.6	2.6	3.7	2.6	3.9	2.5	4.1	2.3
42	2.5	2.0	2.9	2.3	3.4	2.5	3.6	2.6	3.7	2.6	3.8	2.5	4.0	2.2	
44	2.5	2.0	2.9	2.3	3.3	2.4	3.4	2.5	3.6	2.5	3.7	2.4	3.9	2.2	
46	2.5	2.0	2.9	2.3	3.2	2.4	3.3	2.4	3.4	2.4	3.6	2.3	3.8	2.1	
48	2.5	2.0	2.8	2.2	3.2	2.3	3.2	2.3	3.4	2.4	3.5	2.2	3.6	2.0	
056	10	3.9	3.3	4.6	3.8	5.3	4.0	5.6	4.2	5.8	4.2	6.3	4.3	6.7	4.1
	12	3.9	3.3	4.6	3.8	5.3	4.0	5.6	4.2	5.8	4.2	6.3	4.3	6.7	4.1
	14	3.9	3.3	4.6	3.8	5.3	4.0	5.6	4.2	5.8	4.2	6.2	4.2	6.7	4.1
	16	3.9	3.3	4.6	3.8	5.3	4.0	5.6	4.2	5.8	4.2	6.2	4.2	6.6	4.0
	18	3.9	3.3	4.6	3.8	5.3	4.0	5.6	4.2	5.8	4.2	6.2	4.2	6.6	4.0
	20	3.9	3.3	4.6	3.8	5.3	4.0	5.6	4.2	5.8	4.2	6.2	4.2	6.6	4.0
	21	3.9	3.3	4.6	3.8	5.3	4.0	5.6	4.2	5.8	4.2	6.2	4.2	6.6	4.0
	23	3.9	3.3	4.6	3.8	5.3	4.0	5.6	4.2	5.8	4.2	6.2	4.2	6.6	4.0
	25	3.9	3.3	4.6	3.8	5.3	4.0	5.6	4.2	5.8	4.2	6.2	4.2	6.6	4.0
	27	3.9	3.3	4.6	3.8	5.3	4.0	5.6	4.2	5.8	4.2	6.2	4.2	6.6	4.0
	29	3.9	3.3	4.6	3.8	5.3	4.0	5.6	4.2	5.8	4.2	6.2	4.2	6.6	4.0
	31	3.9	3.3	4.6	3.8	5.3	4.0	5.6	4.2	5.8	4.2	6.2	4.2	6.6	4.0
	33	3.9	3.3	4.6	3.8	5.3	4.0	5.6	4.2	5.8	4.2	6.2	4.2	6.6	4.0
	35	3.9	3.3	4.6	3.8	5.3	4.0	5.6	4.2	5.8	4.2	6.2	4.2	6.6	4.0
	37	3.9	3.3	4.6	3.8	5.3	4.0	5.6	4.2	5.8	4.2	6.1	4.1	6.5	3.9
	39	3.9	3.3	4.6	3.8	5.3	4.0	5.6	4.2	5.8	4.2	6.1	4.1	6.4	3.8
42	3.9	3.3	4.6	3.8	5.3	4.0	5.5	4.1	5.7	4.2	6.0	4.0	6.2	3.7	
44	3.9	3.3	4.6	3.8	5.1	3.9	5.3	4.0	5.6	4.0	5.8	3.9	6.0	3.6	
46	3.9	3.3	4.6	3.7	5.0	3.8	5.2	3.9	5.4	3.9	5.6	3.7	5.9	3.5	
48	3.9	3.2	4.5	3.7	5.0	3.7	5.0	3.8	5.3	3.8	5.4	3.6	5.7	3.3	
071	10	4.9	4.3	5.8	5.0	6.7	5.2	7.1	5.4	7.4	5.6	8.0	5.7	8.5	5.4
	12	4.9	4.3	5.8	5.0	6.7	5.2	7.1	5.4	7.4	5.6	7.9	5.6	8.5	5.4
	14	4.9	4.3	5.8	5.0	6.7	5.2	7.1	5.4	7.4	5.6	7.9	5.6	8.5	5.4
	16	4.9	4.3	5.8	5.0	6.7	5.2	7.1	5.4	7.4	5.6	7.9	5.6	8.4	5.3
	18	4.9	4.3	5.8	5.0	6.7	5.2	7.1	5.4	7.4	5.6	7.9	5.6	8.4	5.3
	20	4.9	4.3	5.8	5.0	6.7	5.2	7.1	5.4	7.4	5.6	7.9	5.6	8.4	5.3
	21	4.9	4.3	5.8	5.0	6.7	5.2	7.1	5.4	7.4	5.6	7.9	5.6	8.4	5.3
	23	4.9	4.3	5.8	5.0	6.7	5.2	7.1	5.4	7.4	5.6	7.9	5.6	8.4	5.3
	25	4.9	4.3	5.8	5.0	6.7	5.2	7.1	5.4	7.4	5.6	7.9	5.6	8.4	5.3
	27	4.9	4.3	5.8	5.0	6.7	5.2	7.1	5.4	7.4	5.6	7.9	5.6	8.4	5.3
	29	4.9	4.3	5.8	5.0	6.7	5.2	7.1	5.4	7.4	5.6	7.9	5.6	8.4	5.3
	31	4.9	4.3	5.8	5.0	6.7	5.2	7.1	5.4	7.4	5.6	7.9	5.6	8.4	5.3
	33	4.9	4.3	5.8	5.0	6.7	5.2	7.1	5.4	7.4	5.6	7.9	5.6	8.4	5.3
	35	4.9	4.3	5.8	5.0	6.7	5.2	7.1	5.4	7.4	5.6	7.9	5.6	8.4	5.3
	37	4.9	4.3	5.8	5.0	6.7	5.2	7.1	5.4	7.3	5.5	7.8	5.5	8.2	5.2
	39	4.9	4.3	5.8	5.0	6.7	5.2	7.1	5.4	7.3	5.5	7.7	5.4	8.1	5.1
42	4.9	4.3	5.8	5.0	6.7	5.2	7.0	5.3	7.2	5.4	7.6	5.3	7.9	5.0	
44	4.9	4.3	5.8	5.0	6.5	5.0	6.8	5.2	7.0	5.3	7.3	5.1	7.6	4.8	
46	4.9	4.3	5.7	5.0	6.4	4.9	6.6	5.0	6.8	5.1	7.0	4.9	7.4	4.7	
48	4.8	4.2	5.7	4.9	6.3	4.9	6.4	4.9	6.7	5.0	6.8	4.8	7.2	4.5	

2 Capacity table

Floor Standing

2) Heating

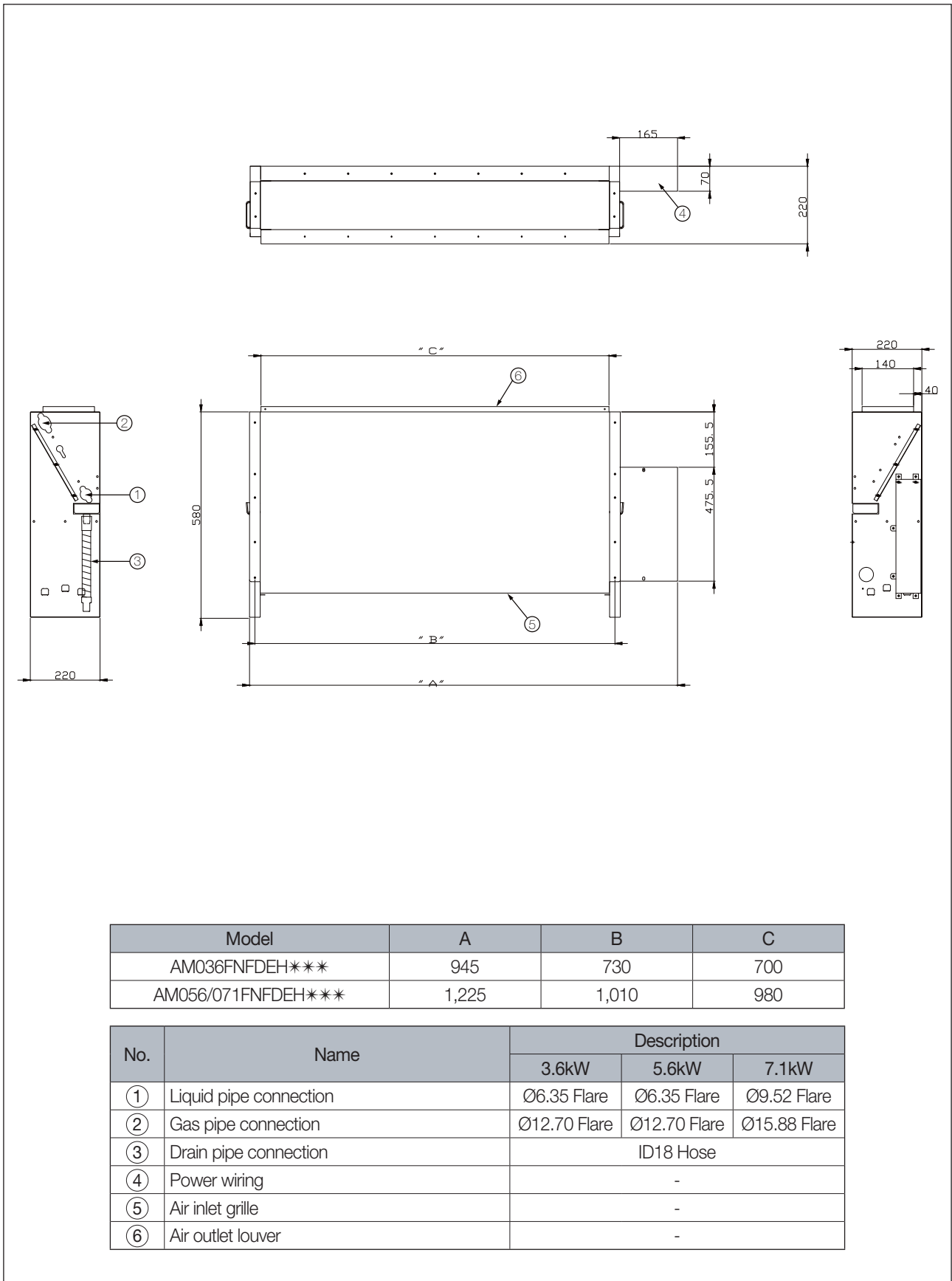
TC : Total Capacity(kW)

Capacity Index	Outdoor Air Temp. (°C)		Indoor temperature (°C,DB)				
			16(°C,DB)	18(°C,DB)	20(°C,DB)	22(°C,DB)	24(°C,DB)
	DB	WB	TC kW	TC kW	TC kW	TC kW	TC kW
036	-19.8	-20.0	2.4	2.4	2.3	2.3	2.3
	-18.8	-19.0	2.5	2.4	2.3	2.3	2.3
	-16.7	-17.0	2.6	2.5	2.4	2.4	2.3
	-14.7	-15.0	2.7	2.6	2.5	2.5	2.4
	-12.6	-13.0	2.8	2.7	2.7	2.6	2.6
	-10.5	-11.0	2.9	2.9	2.9	2.8	2.8
	-9.5	-10.0	2.9	2.9	2.9	2.8	2.8
	-8.5	-9.1	3.0	3.0	3.0	2.9	2.9
	-7.0	-7.6	3.1	3.1	3.0	3.0	2.9
	-5.0	-5.6	3.3	3.2	3.2	3.1	3.0
	-3.0	-3.7	3.4	3.4	3.3	3.2	3.1
	0.0	-0.7	3.6	3.6	3.5	3.4	3.2
	3.0	2.2	3.8	3.7	3.7	3.5	3.4
	5.0	4.1	3.9	3.9	3.8	3.6	3.4
	7.0	6.0	4.1	4.1	4.0	3.7	3.4
056	9.0	7.9	4.2	4.1	4.0	3.7	3.4
	11.0	9.8	4.4	4.2	4.0	3.7	3.4
	13.0	11.8	4.5	4.2	4.0	3.7	3.4
	15.0	13.7	4.6	4.3	4.0	3.7	3.4
	-19.8	-20.0	3.9	3.8	3.8	3.7	3.7
	-18.8	-19.0	3.9	3.9	3.8	3.7	3.7
	-16.7	-17.0	4.0	4.0	3.9	3.8	3.8
	-14.7	-15.0	4.2	4.1	4.0	3.9	3.8
	-12.6	-13.0	4.4	4.3	4.2	4.1	4.0
	-10.5	-11.0	4.6	4.5	4.4	4.4	4.3
	-9.5	-10.0	4.7	4.6	4.6	4.5	4.4
	-8.5	-9.1	4.8	4.7	4.7	4.6	4.5
	-7.0	-7.6	4.9	4.8	4.8	4.7	4.5
	-5.0	-5.6	5.2	5.1	5.0	4.9	4.7
	-3.0	-3.7	5.4	5.3	5.3	5.1	4.9
0.0	-0.7	5.7	5.6	5.5	5.3	5.0	
071	3.0	2.2	5.9	5.9	5.8	5.6	5.3
	5.0	4.1	6.2	6.1	6.0	5.7	5.3
	7.0	6.0	6.5	6.4	6.3	5.8	5.3
	9.0	7.9	6.7	6.5	6.3	5.8	5.3
	11.0	9.8	6.9	6.6	6.3	5.8	5.3
	13.0	11.8	7.1	6.7	6.3	5.8	5.3
	15.0	13.7	7.3	6.8	6.3	5.8	5.3
	-19.8	-20.0	4.9	4.9	4.8	4.7	4.7
	-18.8	-19.0	5.0	4.9	4.8	4.7	4.7
	-16.7	-17.0	5.1	5.0	4.9	4.8	4.8
	-14.7	-15.0	5.3	5.2	5.1	4.9	4.8
	-12.6	-13.0	5.5	5.4	5.3	5.2	5.1
	-10.5	-11.0	5.8	5.7	5.6	5.5	5.5
	-9.5	-10.0	6.0	5.9	5.8	5.7	5.6
	-8.5	-9.1	6.1	6.0	5.9	5.8	5.7
-7.0	-7.6	6.2	6.1	6.0	5.9	5.8	
-5.0	-5.6	6.5	6.5	6.4	6.2	6.0	
-3.0	-3.7	6.9	6.8	6.7	6.4	6.2	
0.0	-0.7	7.2	7.1	7.0	6.7	6.4	
3.0	2.2	7.6	7.5	7.3	7.1	6.8	
5.0	4.1	7.9	7.8	7.7	7.2	6.8	
7.0	6.0	8.2	8.1	8.0	7.4	6.8	
9.0	7.9	8.5	8.2	8.0	7.4	6.8	
11.0	9.8	8.7	8.4	8.0	7.4	6.8	
13.0	11.8	9.0	8.5	8.0	7.4	6.8	
15.0	13.7	9.2	8.6	8.0	7.4	6.8	

3 Dimensional drawing

Floor Standing

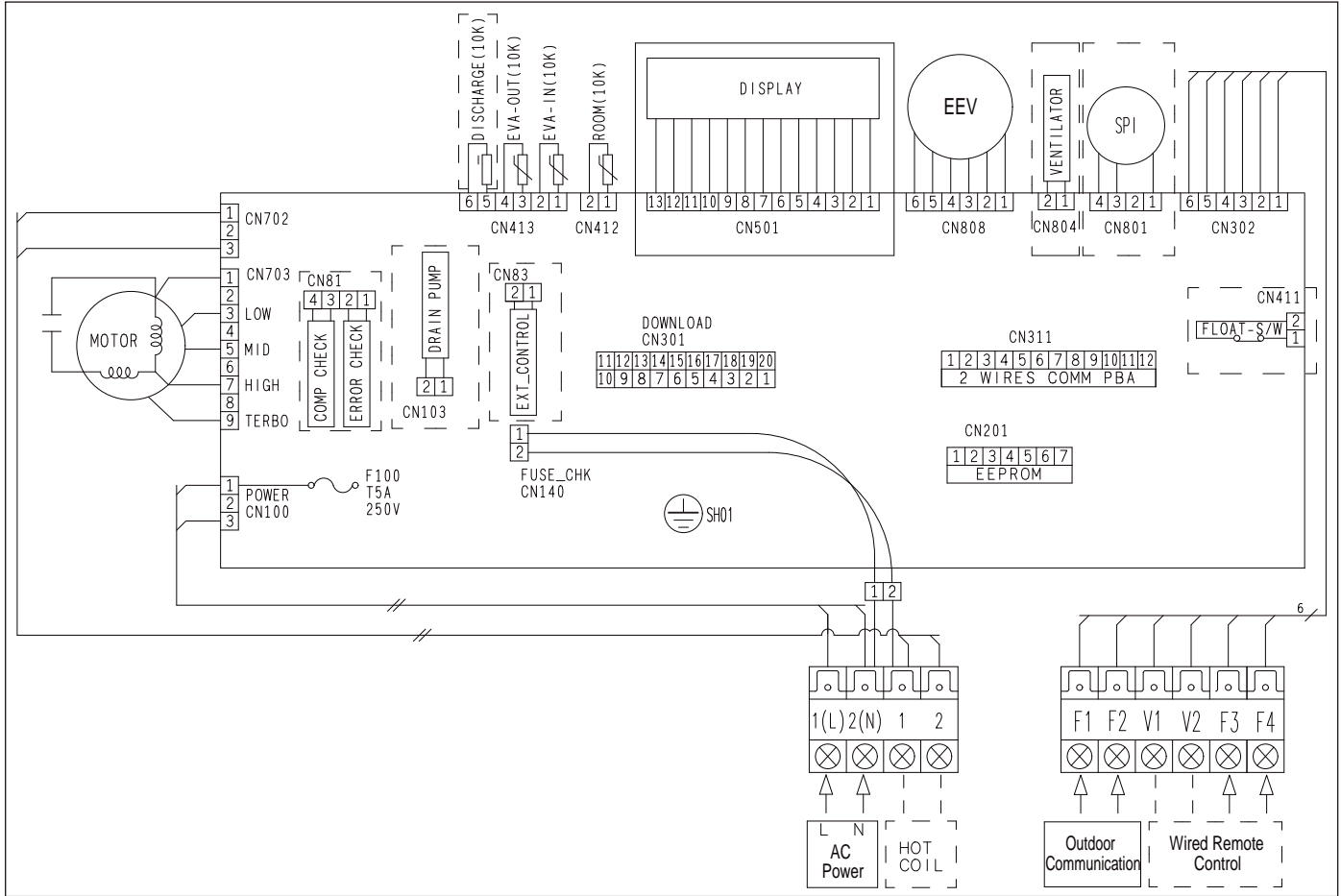
Unit:mm



4 Electrical Wiring Diagram

Floor Standing

AM036/056/071FNFDEH/EU

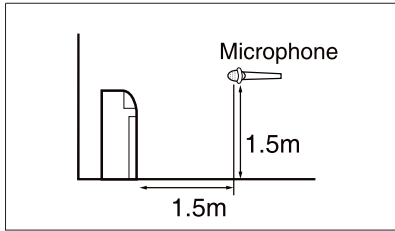


NOTE

1. This wiring diagram applies only to the indoor unit.
2. Symbols show as follow;
BLK : black, RED : red, BLU : blue, WHT:white, YEL : yellow, BRN : brown, SKY : sky-blue, GRN : green
3. For connection wiring indoor-outdoor transmission F1-F2, indoor-wired remotecontroller transmission F3-F4.
4. : Protective earth(screw), : Connector, n : The wire quantity

5 Sound Pressure Level

Floor Standing



Unit: dB(A)

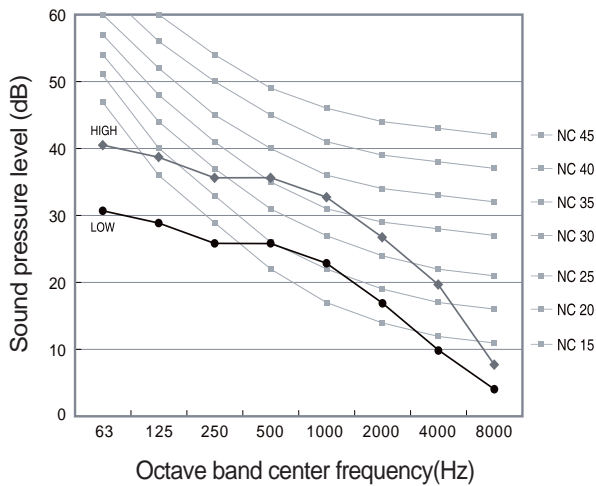
Model	High	Low
AM036FNFDEH/EU	37	27
AM056FNFDEH/EU	40	32
AM071FNFDEH/EU	40	32

Note

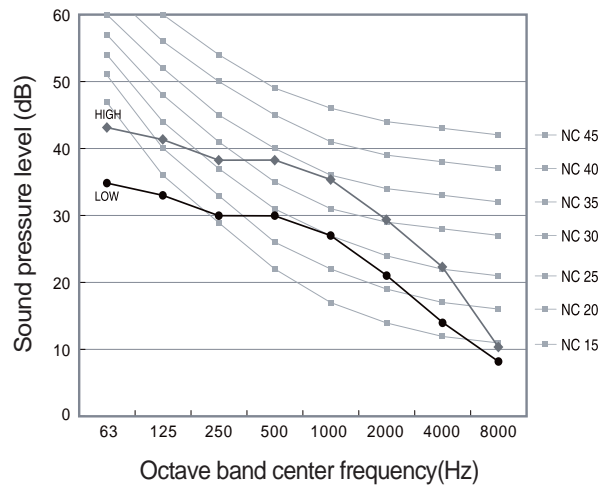
Specifications may be subject to change without prior notice.
 Sound pressure level is obtained in an anechoic room.
 Sound pressure level is a relative value, depending on the distance and acoustic environment.
 Sound pressure level may differ depending on operation condition.
 dBA = A-weighted sound pressure level
 Reference acoustic pressure 0 dB= 20 uPa

NC curve

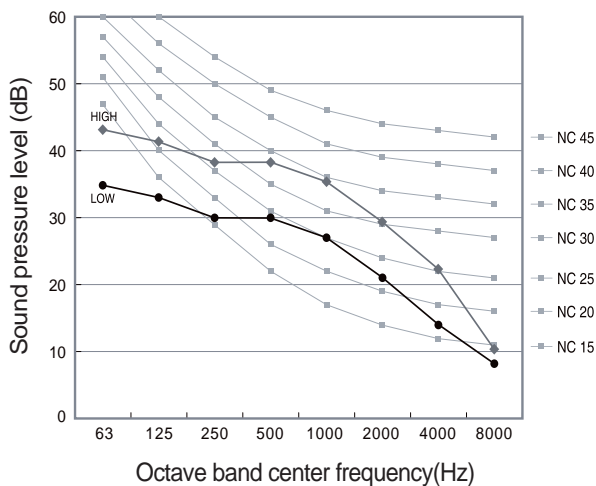
1) AM036FNFDEH/EU



2) AM056FNFDEH/EU



2) AM071FNFDEH/EU



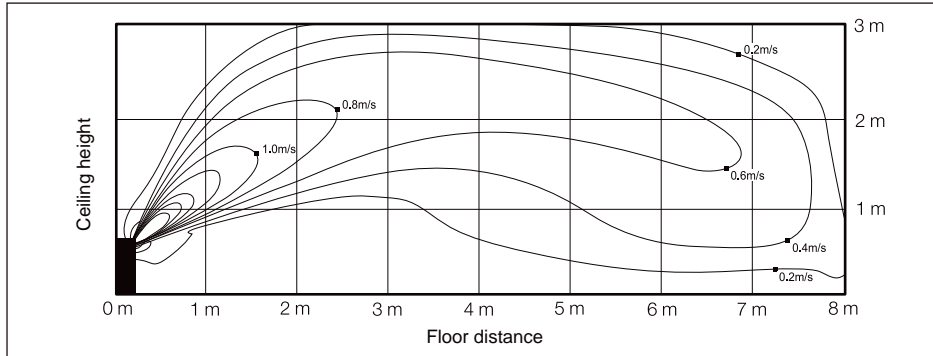
6 Temperature and air flow distribution

Floor Standing

AM036FNFDEH/EU

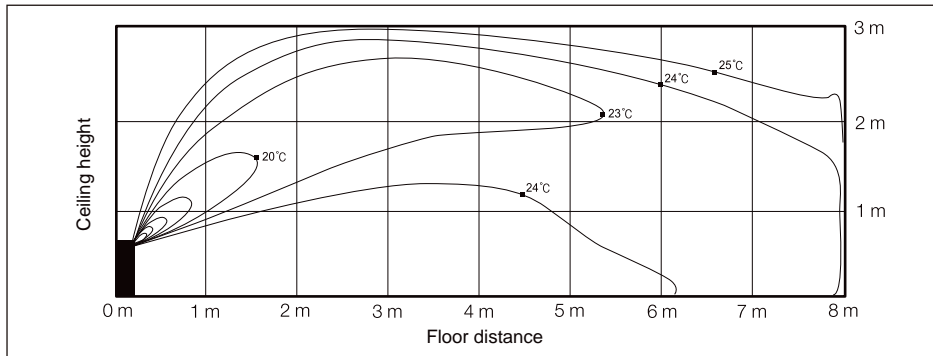
(1) Cooling air velocity distribution

Discharge angle : 36°



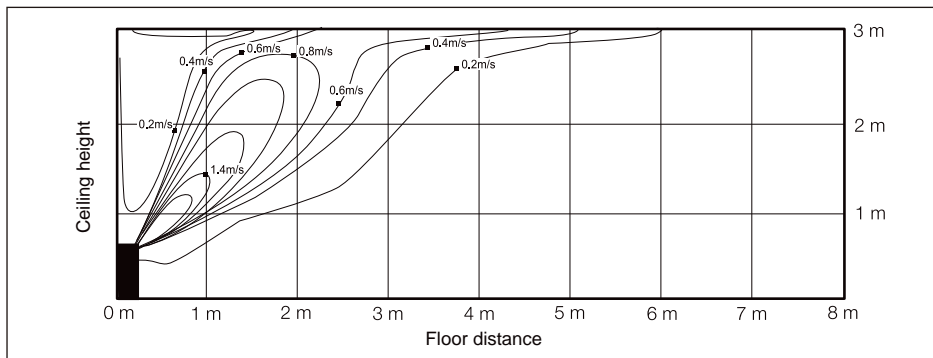
(2) Cooling temperature distribution

Discharge angle : 36°



(3) Heating air velocity distribution

Discharge angle : 54°



(4) Heating temperature distribution

Discharge angle : 54°

