

## P1 Type Floor Standing



The compact Floor Standing P1 units are the ideal solution for providing perimeter air conditioning

The standard wired controller can be incorporated into the body of the unit.

### Technical focus

- Pipes can be connected to either side of the unit from the bottom or rear
- Easy to install
- Front panel opens fully for easy maintenance
- Removable air discharge grille gives flexible airflow
- Room for condensate pump
- For build-in remote control, only CZ-RTC2 is suitable



**PAW-RE2C4**  
Optional Controller.  
Control for hotel application.



**CZ-RTC5B**  
Optional Controller.  
Wired remote controller.  
Compatible with Econavi.



**CZ-RTC2**  
Optional Controller.  
Timer remote controller.  
For Floor Standing (P1) indoor units.



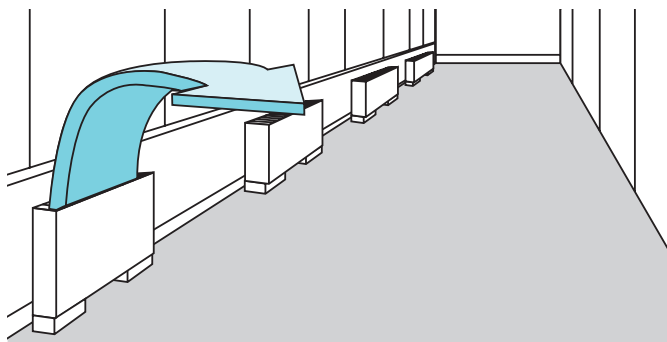
**CZ-RWS3 + CZ-RWRC3**  
Optional Controller.  
Infrared remote controller.



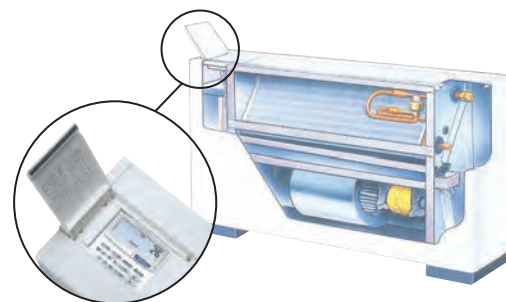
**CZ-RE2C2**  
Optional Controller.  
Simplified wired remote controller.

Model		S-22MP1E5	S-28MP1E5	S-36MP1E5	S-45MP1E5	S-56MP1E5	S-71MP1E5	
Cooling capacity	kW	2,20	2,80	3,60	4,50	5,60	7,10	
Input power cooling	W	56,00	56,00	85,00	126,00	126,00	160,00	
Operating current cooling	A	0,25	0,25	0,38	0,56	0,56	0,72	
Heating capacity	kW	2,50	3,20	4,20	5,00	6,30	8,00	
Input power heating	W	40,00	40,00	70,00	91,00	91,00	120,00	
Operating current heating	A	0,18	0,18	0,31	0,41	0,41	0,54	
Fan type		Sirocco fan	Sirocco fan	Sirocco fan	Sirocco fan	Sirocco fan	Sirocco fan	
Air volume	Hi / Med / Lo	m <sup>3</sup> /min	7,00 / 6,00 / 5,00	7,00 / 6,00 / 5,00	9,00 / 7,00 / 6,00	12,00 / 9,00 / 8,00	15,00 / 13,00 / 11,00	17,00 / 14,00 / 12,00
External static pressure	Pa	15	15	15	15	15	15	
Sound pressure	Hi / Med / Lo	dB(A)	33 / 30 / 28	33 / 30 / 28	39 / 35 / 29	38 / 35 / 31	39 / 36 / 31	41 / 38 / 35
Dimensions	H x W x D	mm	615 x 1065 x 230	615 x 1065 x 230	615 x 1065 x 230	615 x 1380 x 230	615 x 1380 x 230	615 x 1380 x 230
Net weight		kg	29	29	29	39	39	39
Piping connections	Liquid pipe	Inch (mm)	1/4 (6,35)	1/4 (6,35)	1/4 (6,35)	1/4 (6,35)	1/4 (6,35)	3/8 (9,52)
	Gas pipe	Inch (mm)	1/2 (12,70)	1/2 (12,70)	1/2 (12,70)	1/2 (12,70)	1/2 (12,70)	5/8 (15,88)

### Effective perimeter handling



### Effective perimeter handling



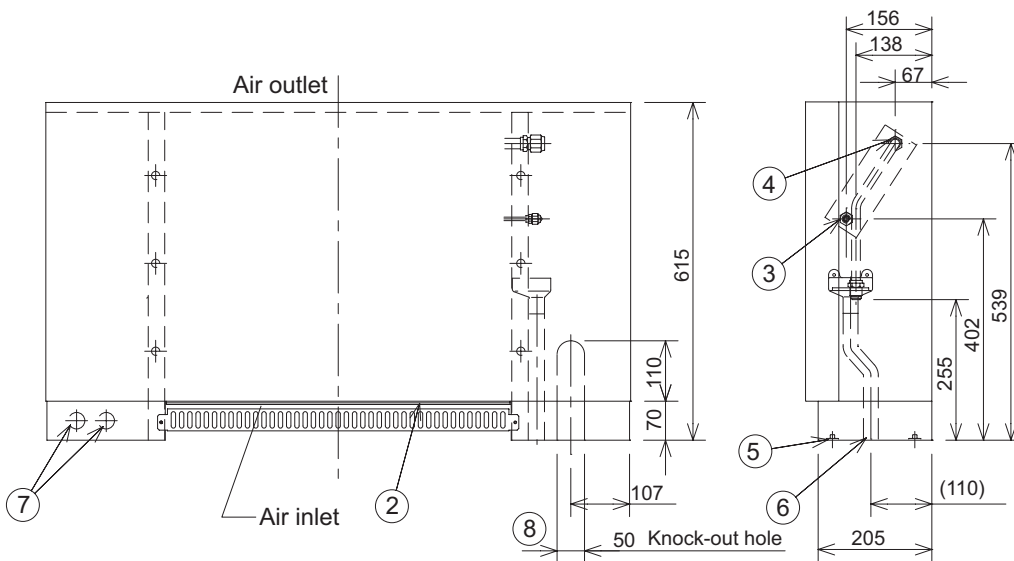
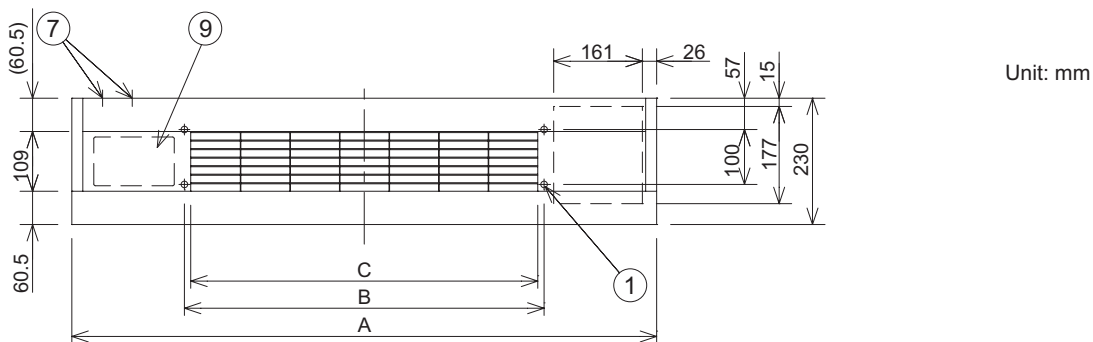
# 11. Floor Standing (Type P1)

## 11-3. Dimensional Data

Indoor unit: S-22MP1E5, S-28MP1E5, S-36MP1E5, S-45MP1E5, S-56MP1E5, S-71MP1E5

Unit: mm

Indoor unit	A	B	C	Liquid tube	Gas tube
S-22MP1E5, S-28MP1E5, S-36MP1E5	1,065	665	632	ø6.35	ø12.7
S-45MP1E5	1380	980	947		
S-56MP1E5					
S-71MP1E5				ø9.52	ø15.88

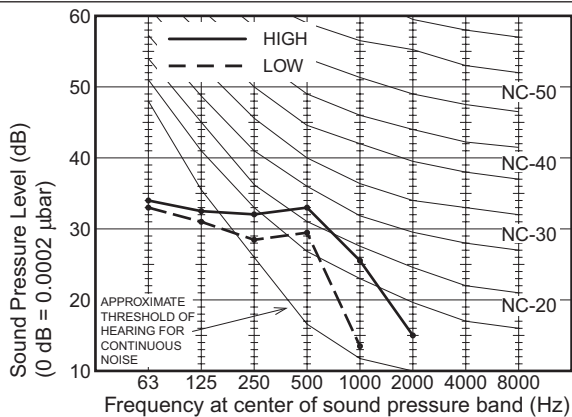


- ① 4-ø12 hole (For fastening the indoor unit to the floor with screws.)
- ② Air filter
- ③ Refrigerant connection outlet (liquid tube)
- ④ Refrigerant connection outlet (gas tube)
- ⑤ Level adjusting bolt
- ⑥ Drain outlet (20 A)
- ⑦ Power cord outlet (downward, rear)
- ⑧ Refrigerant tubing outlet (downward, rear)
- ⑨ Location for mounting the remote controller (Remote controller can be attached within the room.)

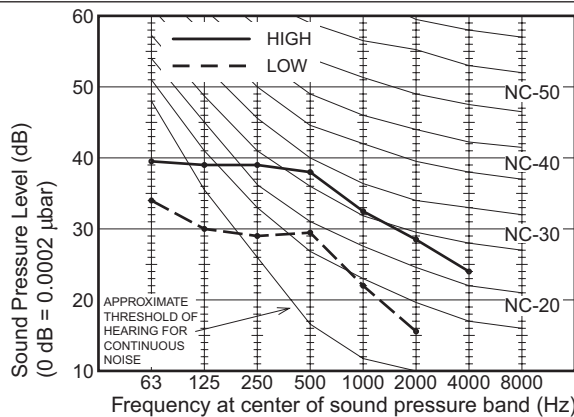
# 11. Floor Standing (Type P1)

## 11-4. Noise Criterion Curves

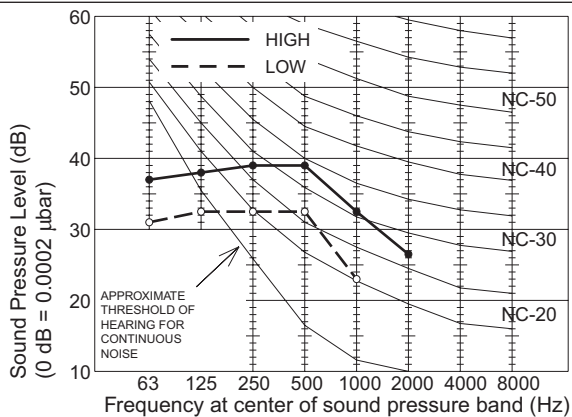
MODEL : S-22MP1E5, S-28MP1E5  
 SOUND LEVEL : HIGH 33 dB(A), NC 27  
 LOW 28 dB(A), NC 23  
 CONDITION In front of the unit 1 m, HEIGHT 1 m  
 SOURCE : 220 - 230- 240 V, Single-phase, 50/60 Hz



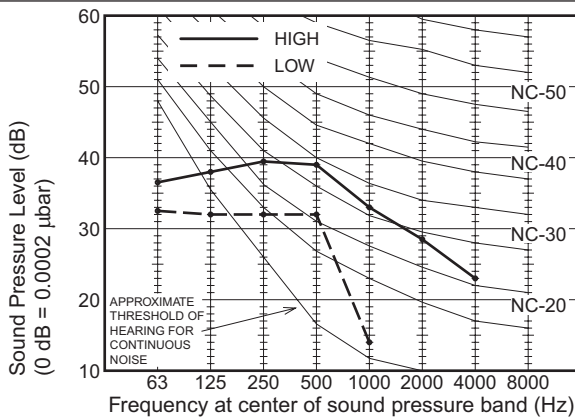
MODEL : S-36MP1E5  
 SOUND LEVEL : HIGH 39 dB(A), NC 33  
 LOW 29 dB(A), NC 23  
 CONDITION : In front of the unit 1 m, HEIGHT 1 m  
 SOURCE : 220 - 230- 240 V, Single-phase, 50/60 Hz



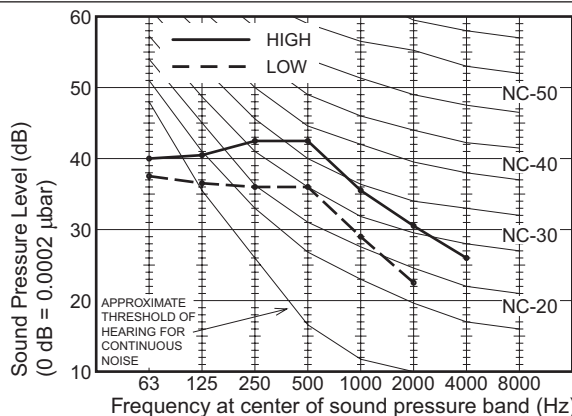
MODEL : S-45MP1E5  
 SOUND LEVEL : HIGH 38 dB(A),  
 LOW 31 dB(A),  
 CONDITION In front of the unit 1 m, HEIGHT 1 m  
 SOURCE : 220 - 230- 240 V, Single-phase, 50/60 Hz



MODEL : S-56MP1E5  
 SOUND LEVEL : HIGH 39 dB(A), NC 34  
 LOW 31 dB(A), NC 26  
 CONDITION : In front of the unit 1 m, HEIGHT 1 m  
 SOURCE : 220 - 230- 240 V, Single-phase, 50/60 Hz

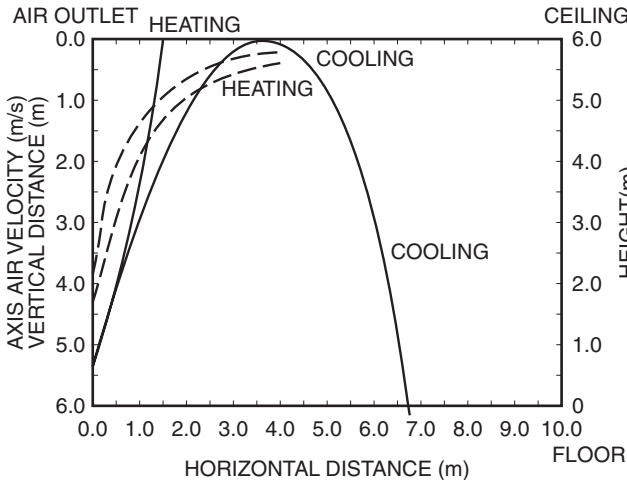
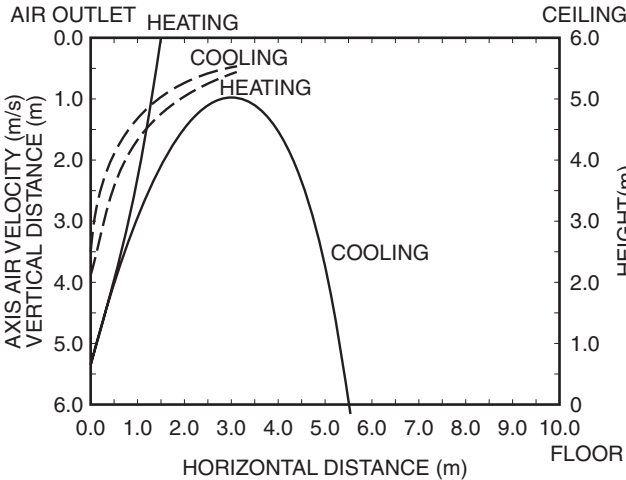
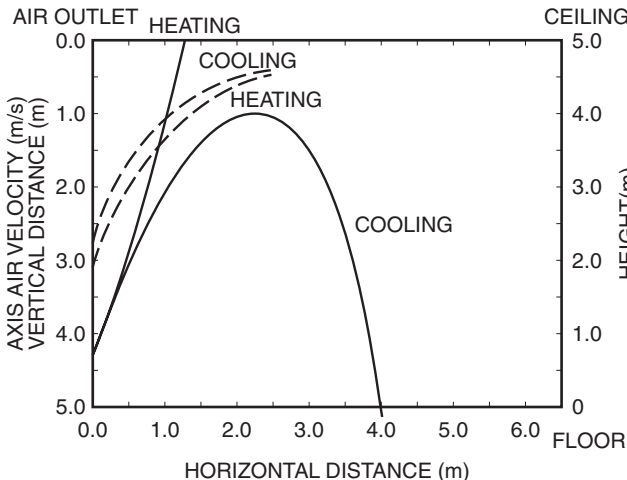
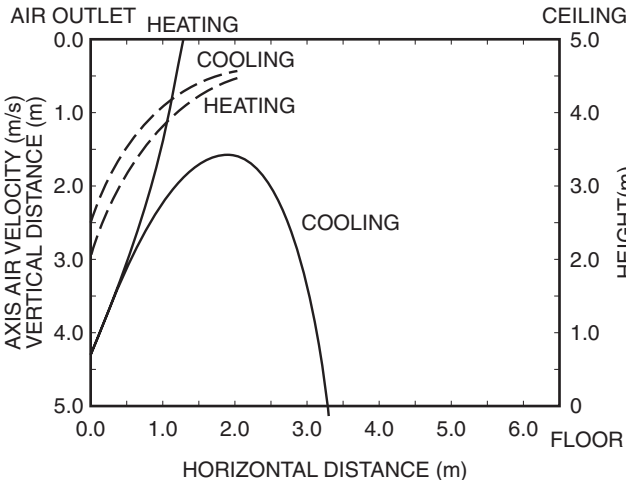


MODEL : S-71MP1E5  
 SOUND LEVEL : HIGH 41 dB(A), NC 37  
 LOW 35 dB(A), NC 30  
 CONDITION : In front of the unit 1 m, HEIGHT 1 m  
 SOURCE : 220 - 230- 240 V, Single-phase, 50/60 Hz



# 11. Floor Standing (Type P1)

## 11-5. Air Flow Distance Chart



4

Air conditioner fan speed : Hi  
 Room air temp. : 27°C DB in Cooling mode  
 20°C DB in Heating mode