

AIR CURTAIN

High efficiency Air curtain connected to your VRF installation. EC Fan motor for a smooth operation and efficient performance.

Plug & Play Installation

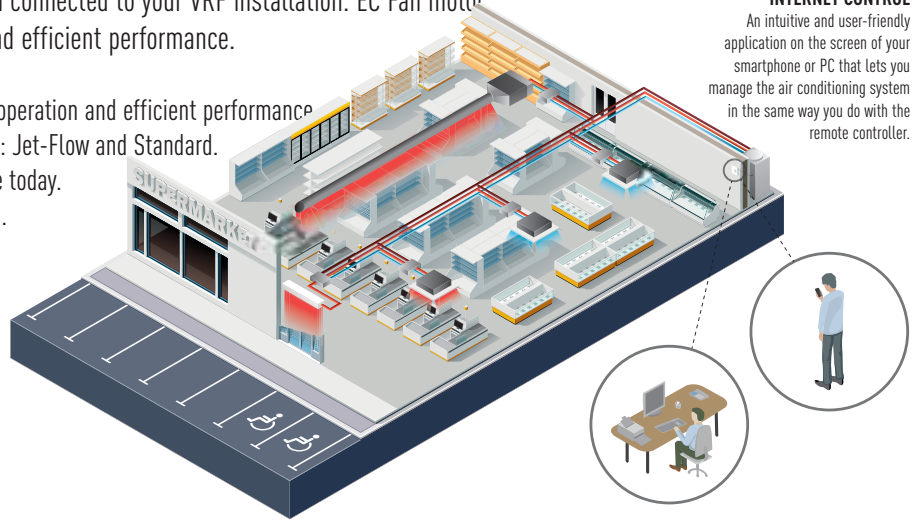
EC Fan motor for a smooth operation and efficient performance

2 types of Air flow available: Jet-Flow and Standard.

2015 Fan Standard available today.

Easy Cleaning and Servicing.

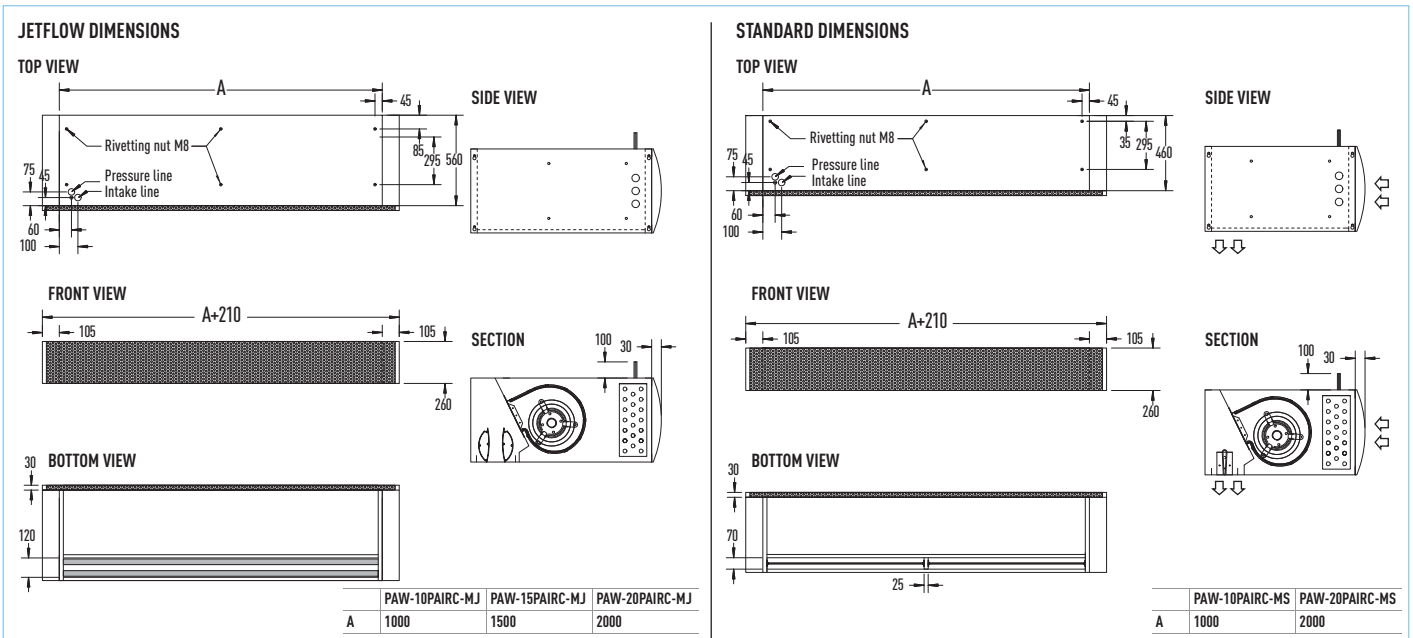
INTERNET CONTROL
An intuitive and user-friendly application on the screen of your smartphone or PC that lets you manage the air conditioning system in the same way you do with the remote controller.



HP		4	8	10	14	4	10	
AIR CURTAIN		PAW-10EAIRC-MJ*	PAW-15EAIRC-MJ*	PAW-20EAIRC-MJ*	PAW-25EAIRC-MJ*	PAW-10EAIRC-MS*	PAW-20EAIRC-MS*	
Air flow type		Jetflow				Standard		
Air Volume	High / Med / Low	m ² /h	2700 / 1900 / 1200	3600 / 2500 / 1600	5400 / 3800 / 2400	6300 / 4400 / 2800	2700 / 1900 / 1200	5400 / 3800 / 2400
Air Flow Length (A)		m	1.0	1.5	2.0	2.5	1.0	2.0
Heating capacity nominal		kW	11.4	25.0	31.5	37.5	11.4	31.5
Heating capacity max (at air in 20 °C)		kW	12.47	19.55	29.99	37.53	12.47	29.99
Max Installation high		m	2.7	2.7	2.7	2.7	2.4	2.4
Refrigerant			R410A	R410A	R410A	R410A	R410A	R410A
Hot gas temp		°C	70	70	70	70	70	70
Pressure		bar	45	45	45	45	45	45
Tubing suction		mm	16	18	22	22	16	22
Tubing pressure		mm	10	10	10	10	10	10
Fan			230 V / 50 Hz / 1 / N / PE	230 V / 50 Hz / 1 / N / PE	230 V / 50 Hz / 1 / N / PE	230 V / 50 Hz / 1 / N / PE	230 V / 50 Hz / 1 / N / PE	230 V / 50 Hz / 1 / N / PE
Fan type			EC	EC	EC	EC	EC	EC
Currency	High / Med / Low	A	2.1 / 0.8 / 0.3	2.8 / 1.1 / 0.4	4.2 / 1.6 / 0.6	4.9 / 1.9 / 0.7	2.1 / 0.8 / 0.3	4.2 / 1.6 / 0.6
Electrical Consumption	High / Med / Low	kW	0.44 / 0.17 / 0.06	0.59 / 0.23 / 0.08	0.89 / 0.34 / 0.12	1.03 / 0.4 / 0.14	0.44 / 0.17 / 0.06	0.89 / 0.34 / 0.12
Protecting Fuse		A	M16A	M16A	M16A	M16A	M16A	M16A
Noise		dB(A)	40-55	40-56	40-57	40-58	40-55	40-57
Dimensions / Weight	L x H x D	mm / kg	1210 x 260 x 590 / 70	1710 x 260 x 590 / 100	2210 x 260 x 590 / 138	2710 x 260 x 590 / 160	1210 x 260 x 490 / 60	2210 x 260 x 490 / 128

Outdoor combination with Mini ECOi	U-4LE1E5/8					U-4LE1E5/8	
Outdoor combination with ECOi	All models	All models	All model without 8HP	All model without 8/10HP	All models	All model without 8HP	
Outdoor combination with GHP	All models	All models	All models	All models	All models	All models	

* Available from April 2013.





JET-FLOW: PAW-10PAIRC-MJ // PAW-15PAIRC-MJ // PAW-20PAIRC-MJ

Technical Focus

- PLUG & PLAY INSTALLATION
- SAVE UP TO 40% ENERGY COSTS BY USE OF THE INTEGRATED EC FAN TECHNOLOGY
 - HIGHER EFFICIENCY CONVENTIONAL AC FAN
 - SOFTSTART
 - LONGER MOTOR DURATION
- 3 LENGTHS OF AIR CURTAINS, FROM 1,0 TO 2,0 m
- INSTALLATION HEIGHT UP TO 2,7 m
- OUTLET GRILLES CAN BE ADJUSTED IN FIVE POSITIONS, TO SUITE DIFFERENT INDOOR AND INSTALLATION REQUIREMENTS
- CONTROL WITH PANASONIC REMOTE CONTROL SYSTEMS (OPTIONAL)
- DIRECT INTEGRATION TO BMS BY OPTIONAL PANASONIC INTERFACES

STANDARD: PAW-10PAIRC-MS // PAW-20PAIRC-MS

Technical Focus

- PLUG & PLAY INSTALLATION
- SAVE UP TO 40% ENERGY COSTS BY USE OF THE INTEGRATED EC FAN TECHNOLOGY
 - HIGHER EFFICIENCY CONVENTIONAL AC FAN
 - SOFTSTART
 - LONGER MOTOR DURATION
- 2 LENGTHS OF AIR CURTAINS, 1,0 AND 2,0 m
- INSTALLATION HEIGHT UP TO 2,4 m
- CONTROL WITH PANASONIC REMOTE CONTROL SYSTEMS (OPTIONAL)
- DIRECT INTEGRATION TO BMS BY OPTIONAL PANASONIC INTERFACES

Features

COMFORT

- Easy redirection of Air-Flow by means of manual deflector (Jet-Flow)

EASE OF USE

- Speed selector (high and low) on the unit itself

EASY INSTALLATION AND MAINTENANCE

- Easy installation
- Its compact dimensions improve installation and positioning (Jet-Flow)
- Easy cleaning of grid without opening of the unit

